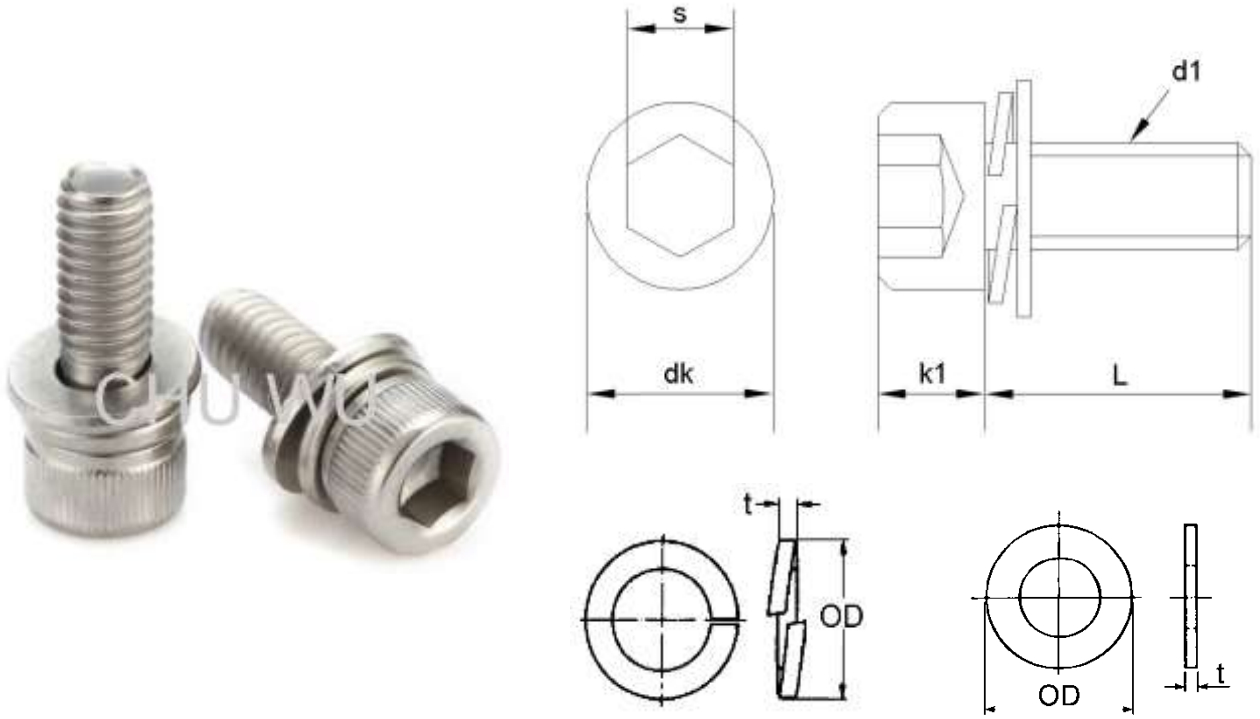


Hexagon socket head cap screw sems with spring lock washer and plain washer



S.W

F.W

Unit : mm

Nom. dia. (d1)	Pitch (P)	Head diameter (dk)	Head height (k1)	Hexagon Socket size (S)	S.W		F.W	
					(OD)	(t)	(OD)	(t)
M1.6	0.35	3	1.6	1.5	2.5	0.4	3	0.3
M2	0.4	3.8	2	1.5	4	0.5	4.5	0.3
M2.5	0.45	4.5	2.5	2	4.8	0.6	5	0.5
M3	0.5	5.5	3	2.5	5.5	0.7	6	0.5
M4	0.7	7	4	3	7	1.0	8	0.5
M5	0.8	8.5	5	4	8.5	1.3	9	1.0
M6	1.0	10	6	5	9.4	1.6	11	1.6
M8	1.25	13	8	6	12.4	2.0	15	1.6

Screw standard according to DIN 912



CHU WU INDUSTRIAL CO., LTD.

No. 16, Guanghua Rd., Sanchong Dist., New Taipei City 241, Taiwan
 Tel: +886-2-8512-4735(Rep.) Fax: +886-2-8512-4295, 8512-4737
 E-mail: sales@chuwu.com.tw http://www.chuwu.com.tw