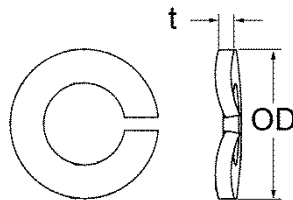
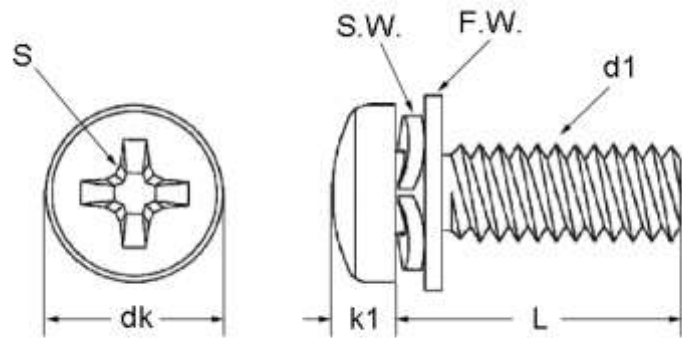
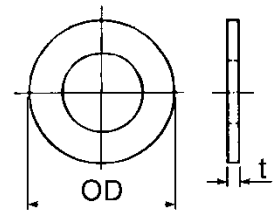


Pan head screw sems with
spring lock washer and flat washer
according to DIN 6900-3



S.W.



F.W.

Unit : mm

Thread size (d1)	Pitch (P)	Head diameter (dk)	Head height (k1)	Driver Size (S)	S.W		F.W	
					(OD)	(t)	(OD)	(t)
M2.5	0.45	5	2	NO.1	4.55	0.6	6	0.6
M3	0.5	6	2.4	NO.1	5.6	0.7	7	0.6
M4	0.7	8	3.1	NO.2	6.95	0.8	9	0.8
M5	0.8	10	3.8	NO.2	8.55	1	10	1
M6	1.0	12	4.6	NO.3	11	1.3	12	1.6
M8	1.25	16	6	NO.4	13.95	1.6	16	2

Screw standard according to DIN 7985

S.W. standard according to DIN 6905

F.W. standard according to DIN 6902A



CHU WU INDUSTRIAL CO., LTD.

No. 16, Guanghua Rd., Sanchong Dist., New Taipei City 241, Taiwan
Tel: +886-2-8512-4735(Rep.) Fax: +886-2-8512-4295, 8512-4737
E-mail: sales@chuwu.com.tw http://www.chuwu.com.tw