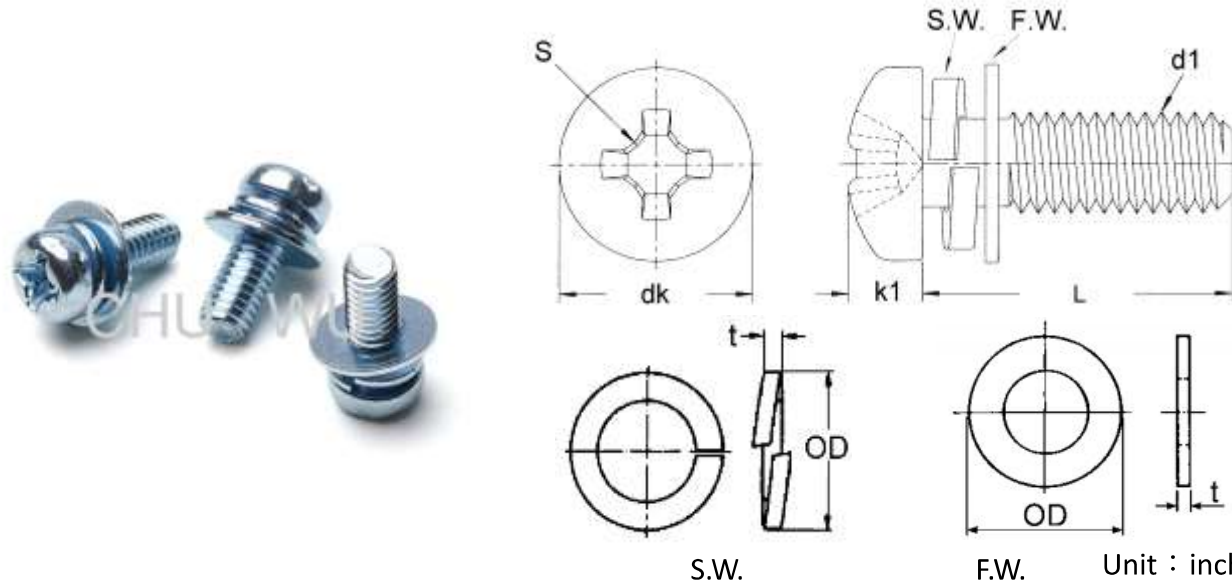


ASME B18.13 Screw with spring lock washer and flat washer



| Thread size (d1) | Head diameter (dk) | Head height (k1) | Drive size (S) | S.W. | | F.W. | |
|---------------------|-----------------------|---------------------|-------------------|-------|-------|-------|-------|
| | | | | (OD) | (t) | (OD) | (t) |
| #2-56 | 0.167 | 0.062 | NO.1 | 0.156 | 0.020 | 0.250 | 0.032 |
| #4-40 | 0.219 | 0.080 | NO.1 | 0.208 | 0.031 | 0.383 | 0.040 |
| #6-32 | 0.270 | 0.097 | NO.2 | 0.261 | 0.034 | 0.446 | 0.040 |
| #8-32 | 0.322 | 0.115 | NO.2 | 0.319 | 0.031 | 0.508 | 0.040 |
| #10-24or32 | 0.373 | 0.133 | NO.2 | 0.373 | 0.047 | 0.570 | 0.040 |

There is no restriction on the application of head type in picture content. For more information, welcome to contact us.

