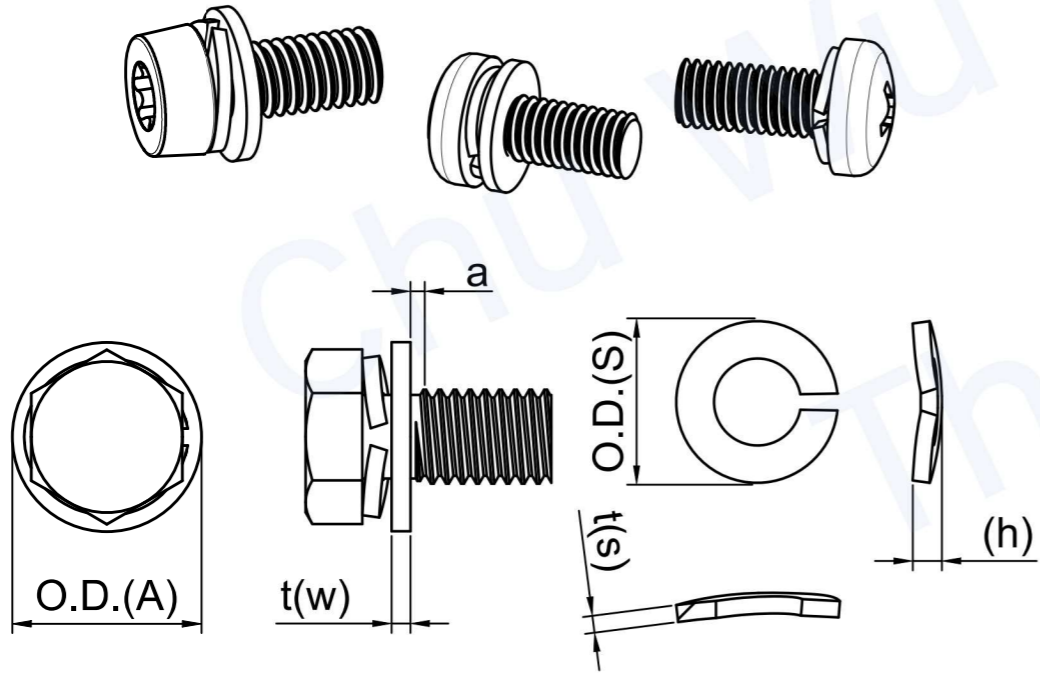


DIN6900 Part 3 Screw with curve spring lock washer



Unit: mm

Thread size	Pitch	a (max.)	Curve spring lock washer (DIN6905)			Flat Washer (DIN6902)			
			O.D.(S)	t(s)	Height(h)	Type A		Type B	
						O.D.(A)	t (w)	O.D.(A)	t (w)
M8	1.25	2.50	13.95	1.60	2.75	16.00	2.00	24.00	2.00
M6	1.00	2.00	11.00	1.30	2.20	12.00	1.60	18.00	1.60
M5	0.80	1.60	8.55	1.00	1.70	10.00	1.00	15.00	1.60
M4	0.70	1.40	6.95	0.80	1.40	9.00	0.80	12.00	1.00
M3	0.50	1.00	5.60	0.70	1.30	7.00	0.60	9.00	0.80
M2.5	0.45	0.90	4.55	0.60	1.10	6.00	0.60	8.00	0.80



There is no restriction on the application of head type in picture content. For more information, welcome to contact us.